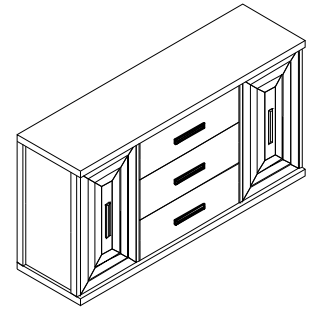


**Warning :**

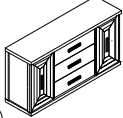


- Be sure to check all packing material carefully for small parts, which may have come loose inside the carton during shipment.
- To prevent possible scratches and damage, this furniture must be assembled on a soft surface such as a blanket or carpet.

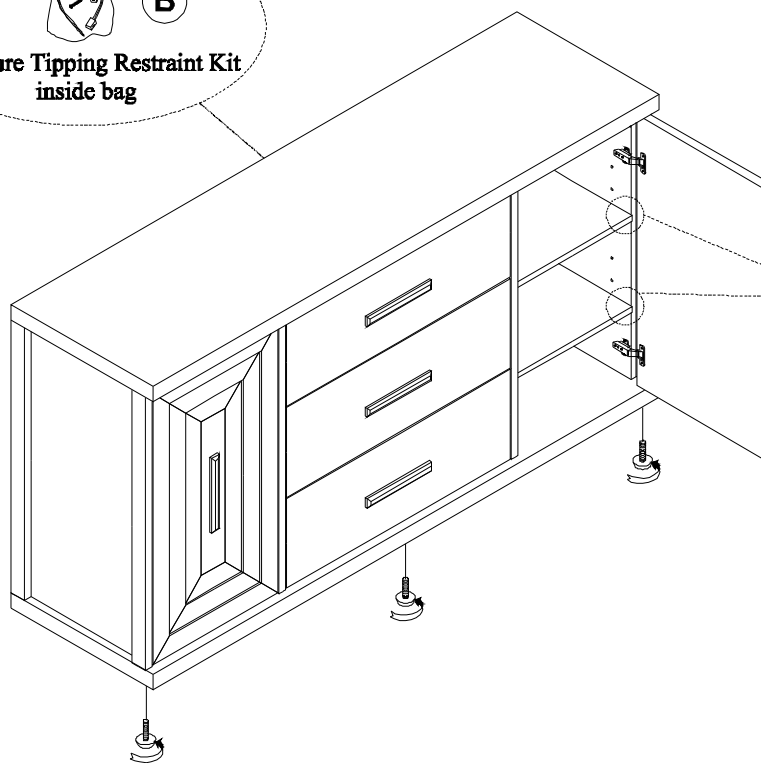
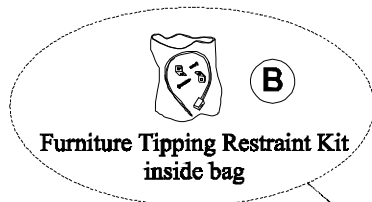


73456  
Server

**Important Use Information:** We recommend using coasters, placemats and trivets when placing hot or cold containers on this item. It is also recommended to quickly cleanup any spills to minimize exposure to moisture. Doing so will prolong the life and look of the item for many years.

**Components and Hardware List**

|  |  |   |
|--|--|---|
| <p>Server</p>  <p><b>A</b> 1 pc.</p> | <p>Anti-Tip Restraint Kit<br/>(attached to back of unit)</p>  <p><b>B</b> 1 pc.</p> | <p>Tool Required<br/>(Not provided)<br/>Phillips Screwdriver</p>  |
|--|--|---|

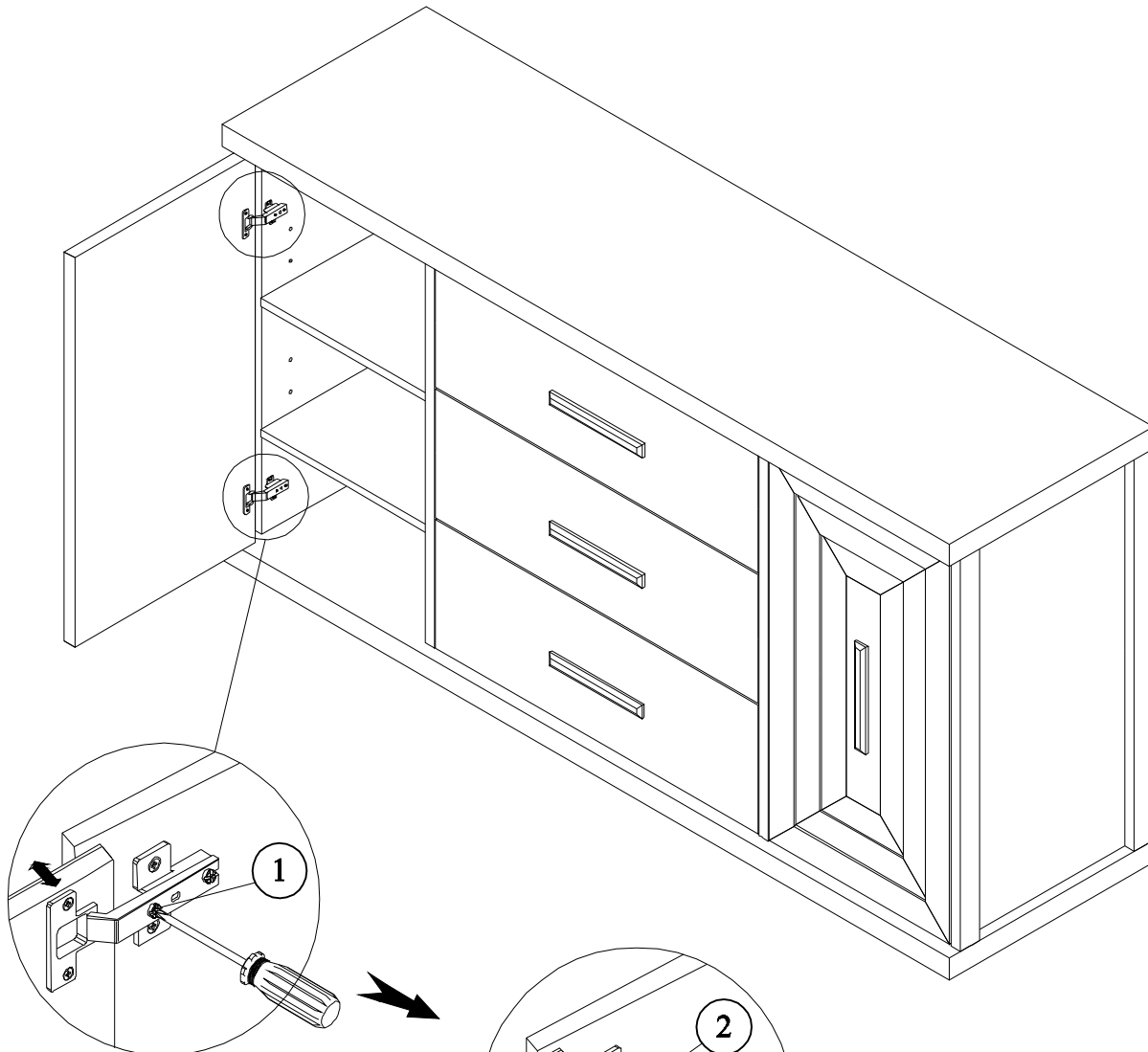


Unscrew to adjust  
the shelf height

Adjustable Leveler

For product and personal safety, a furniture Tipping Restraint kit has been included with this unit which can help to minimize the risk of the unit accidentally tipping forward, if used and properly installed per the kit manufacturer's instructions.

## Hinge Adjustment Steps



**Door Angle Adjustment**  
loosen screw 1, adjust gap  
with screw 2 and re-tighten  
Screw 1.

**Horizontal Adjustment**  
loosen screw 1, push hinge  
arm forwards or backwards,  
re-tighten screw 1 and secure  
Screw 2 with a 1/4 turn  
clockwise.

**Vertical Adjustment**  
loosen screw 3, adjust door  
height and re-tighten screw 3.

\* The doors can be adjusted in all 3 directions to create an even fit between doors on this cabinet. Follow the appropriate directions above to adjust door(s) as necessary.